

ROTARY SEPARATOR

Technical data sheet



Description

The rotary separator is ideal for control and refinement sieving, as it assures the particle size uniformity and the absence of impurities in the treated product.

This operation is often required before product packaging; this implies the need to meet two basic requirements:

- 1) optimum sieving degree;
- 2) high level of productivity.

The operating principle of the rotary separator is extremely simple. The product is fed into the machine from the loading mouth and, through an auger, is sent to sieving chamber, consisting of a mesh drum. Here, stirred by special rotating bars, the product comes into contact with the mesh, letting through the "fine" fraction, which shall be discharged from the main mouth.

Impurities, instead, are held back and, proceeding inside the mesh are then conveyed to the secondary discharge mouth. The sieving machine is equipped with compressed air connectors in the front and rear section, to keep the powder away from bearings.

ERIMAKI manufactures the rotary separator in three models, featuring different dimensions and thus hourly rates, to meet the different customer requirements. The machines may be made of carbon steel or stainless steel. The latter, upon request, may be supplied with a mirror-polished surface finishing.

Removing the inner components of the rotary separator is extremely simple, for easier cleaning. The following are just a few of the products which are typically sieved using the rotary separator.

ROTARY SEPARATOR

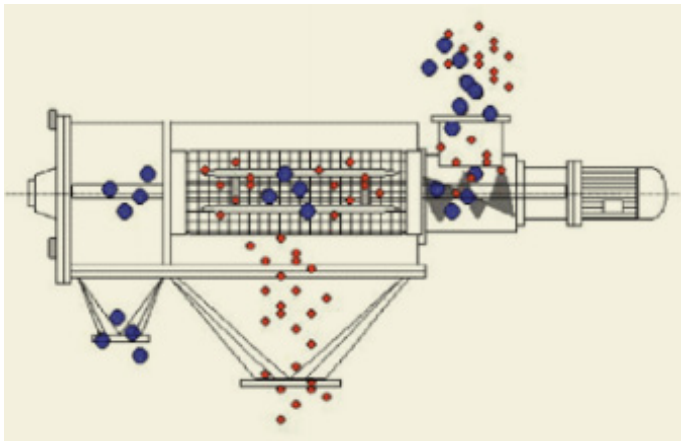
Technical data sheet



Fields of application

- Flours
- Dried milk
- Corn starch
- Sugar
- Coffee
- Thermoplastic materials
- Powder paint
- Abrasives
- Mineral powders

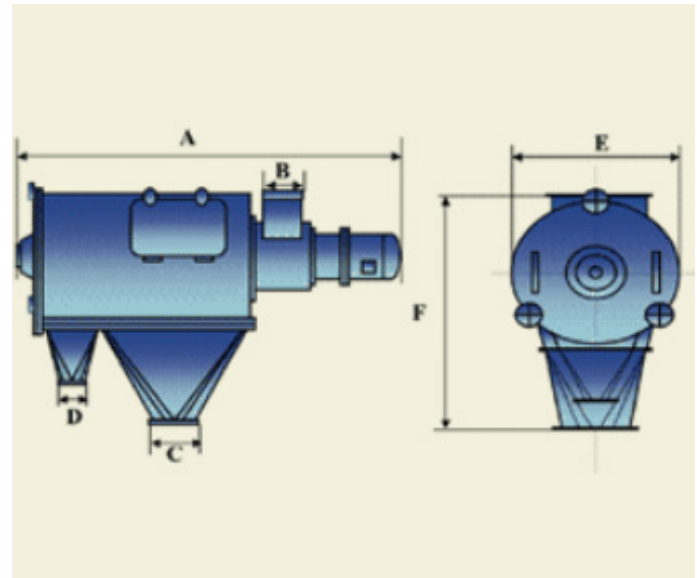
Operation



Accessories

- Double drum with mesh

Dimensions



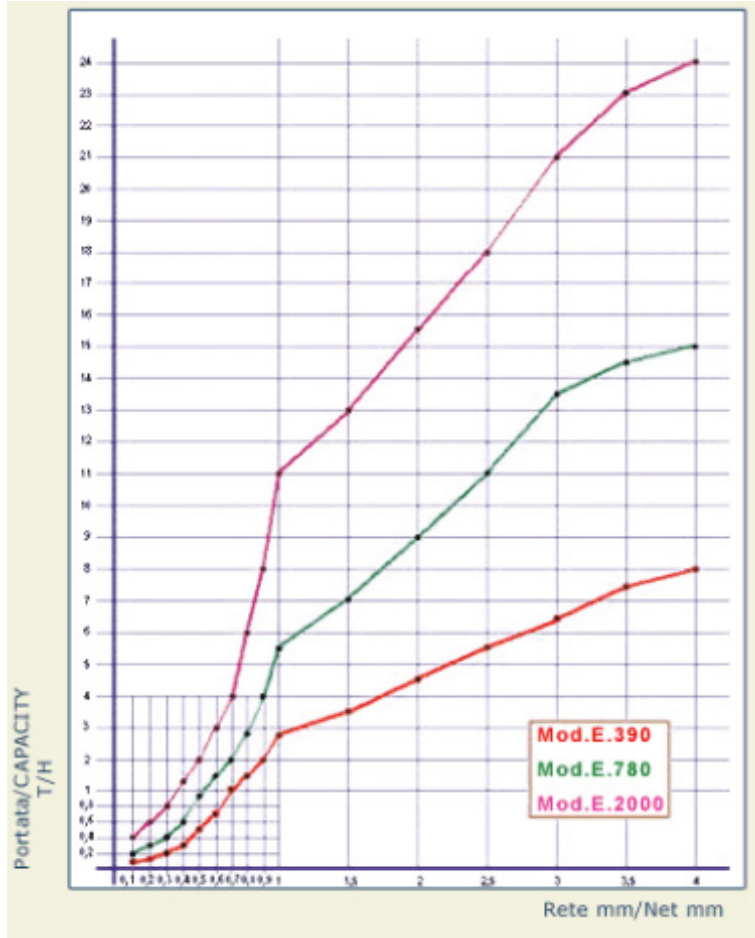
Model	A	B	C	D	E	F
E-390	1300	ø 130	ø 130	ø 100	630	360
E-780	1770	250x250	ø 300	ø 145	800	425
E-2000	2100	250x250	ø 300	ø 200	1100	630

ROTARY SEPARATOR

Technical data sheet



Flow rate curve



The diagram has been built using wheat flour as the product to be passed through the sieve; its particle size ranges between 0 and 0.2 mm. This diagram is only indicative of the general operation of the separator.

Accurate results can only be obtained after appropriate tests with the products one is specifically interested in. The diagram displays the mesh opening (mm) on the horizontal axis and the hourly flow rate (tons/hour) on the vertical axis.